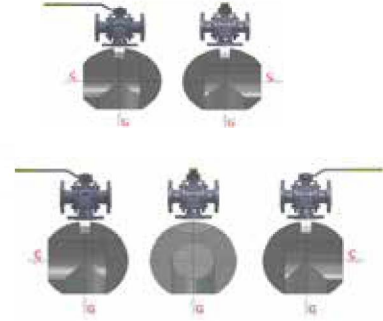
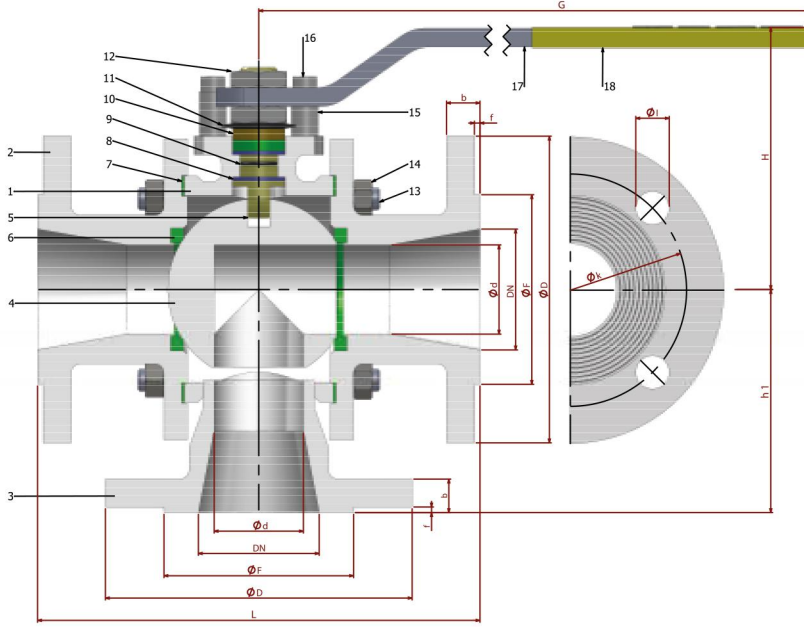


TİP TYPE
BKV.3L-FL-RG

DN 15 - DN 250

PN 16 - PN 40

ÇELİK
STELLREDÜKSİYON GEÇİŞLİ / FLANŞLI
REDUCED BORE / FLANGED

PARÇA NO ITEM NO	PARÇA ADI ITEM DISCRPTION		MALZEME MATERIAL	
18	PLASTİK KAPLAMA	PLASTIC RING	PVC	PVC
17	KÜRE HAREKET KOLU	BALL ACTION HANDLE	st 37	1.4301.
16	ÇIVATA	BOLT	ST 42 Gal.	1.4301. - 1.4401.
15	STOPLAMA PİMİ	STOPPING PIM	ST 42 Gal.	1.4301.
14	SOMUN	NUT	5.6.	1.4301. - 1.4401.
13	SAPLAMA	STOPPING PIM	CK 35 / CK 45	1.4301.
12	KONTRA SOMUN	COUNTER NUT	5,6 Gal.	1.4301.
11	ÇANAK PUL	BOWL WASHER	50 Cr V 4	1.4301.
10	BASKI RİNGİ	PRESSURE RING	MS 58	1.4301. - 1.4401.
9	MİL O-RİNGİ	SPINDLE O-RING	VITON	VITON
8	BOĞAZ SIZDIRMAZLIK TEFLONU	NECK TIGHTNESS ELEMENT	PTFE-Teflon	PTFE-Teflon
7	GÖVDE SIZDIRMAZLIK TEFLONU	BODY TIGHTNESS ELEMENT	PTFE-Teflon	PTFE-Teflon
6	KÜRE SIZDIRMAZLIK TEFLONU	BALL TIGHTNESS ELEMENT	PTFE-Teflon	PTFE-Teflon
5	HAREKET MİLİ	ACTION SPINDLE	1.4021	1.4301. - 1.4401.
4	KÜRE	BALL	1.4301 / 1.4086	1.4305. - 1.4401.
3	3 YOL KAPAK	COVER 3 WAY	st 37-2	1.4301. - 1.4401.
2	KAPAK	COVER	st 37-2	1.4301. - 1.4401.
1	GÖVDE	BODY	A 216 WCB	1.4301. - 1.4401.

Boyut Dimensions : EN 558
Bağlantılar Connections : EN 1092 - 1
Çalışma Basıncı Working Pressure : PN 16 - 40
Çalışma Sıcaklığı Working Temperature : -30 °C / +180 °C

Kullanım Alanları Usege Areas :
Su, Sıcak Su, Buhar, Basıncılı Hava
Water, Hot Water, Steam, Pressurized Air



BOYUT ve BAĞLANTI ÖLÇÜLERİ DIMENSIONS AND CONNECTION SIZES

		PN 16																PN 40					
		L	G	H	h1	f	d	D	b	k	Hole Unit	I	F	Kg	D	b	k	Hole Unit	I	F	Kg		
DN 15	1/2"	130	150	75	65	2	12	95	14	65	4	14	45	--	95	16	65	4	14	45	--		
DN 20	3/4"	150	180	90	75	2	15	105	16	75	4	14	58	--	105	18	75	4	14	58	--		
DN 25	1"	160	230	95	80	2	20	115	16	85	4	14	68	--	115	18	85	4	14	68	--		
DN 32	1 1/4"	180	275	115	90	2	25	140	16	100	4	18	78	--	140	18	100	4	18	78	--		
DN 40	1 1/2"	200	275	120	100	3	32	150	16	110	4	18	88	--	150	18	110	4	18	88	--		
DN 50	2"	230	320	135	115	3	40	165	18	125	4	18	102	--	165	20	125	4	18	102	--		
DN 65	2 1/2"	290	380	150	145	3	50	185	18	145	4	18	122	--	185	22	145	8	18	122	--		
DN 80	3"	310	450	170	170	3	65	200	20	160	8	18	138	--	200	24	160	8	18	138	--		
DN 100	4"	350	450	200	175	3	80	220	20	180	8	18	158	--	235	24	190	8	22	162	--		
DN 125	5"	400	650	235	200	3	100	250	22	210	8	18	188	--	270	26	220	8	26	188	--		
DN 150	6"	450	900	270	270	3	125	285	22	240	8	22	212	--	300	28	250	8	26	218	--		
DN 200	8"	550	1100	330	330	3	150	340	24	295	12	22	268	--	375	34	320	12	30	285	--		
DN 250	10"	650	1100	330	375	3	200	405	26	355	12	26	320	--	450	38	385	12	30	345	--		