

KÜRESEL VANA 3 YOLLU "T" TİPİ

BALL VALVE 3 WAYS "T" TYPE

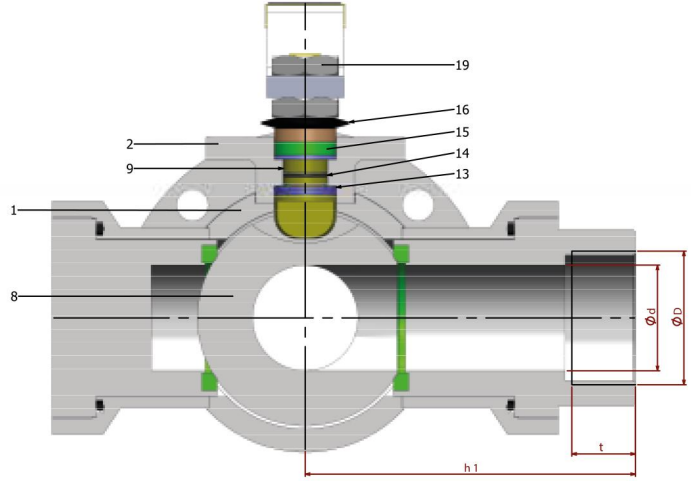
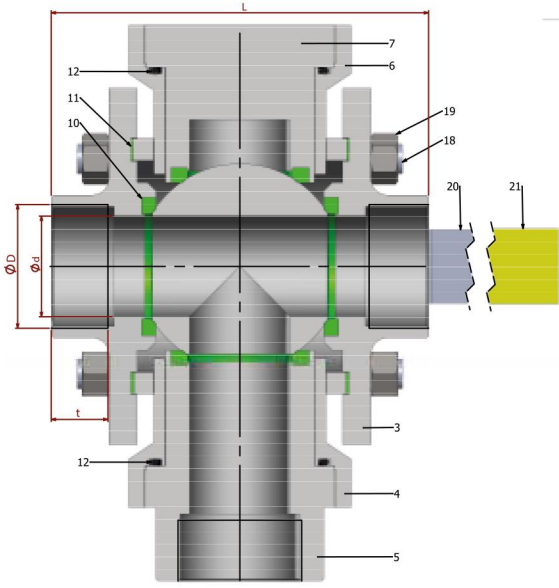
TİP TYPE
BKV.3T-Dİ-TG

R 1/2" - R 4"

PN 16 - PN 40

ÇELİK
STELL

TAM GEÇİŞLİ / DIŞLI
FULL BORE / THREADED



PARÇA NO ITEM NO	PARÇA ADI ITEM DISCRPTION		MALZEME MATERIAL	
21	PLASTİK KAPLAMA	PLASTIC COVERING	PVC	PVC
20	KÜRE HAREKET KOLU	BALL ACTION HANDLE	st 37	1.4301.
19	SOMUN	NUT	5.6.	1.4301. - 1.4401.
18	SAPLAMA	STOPPING PIM	CK 35 / CK 45	1.4301.
17	KONTRA SOMUN	COUNTER NUT	5,6 Gal.	1.4301.
16	ÇANAK PUL	BOWL WASHER	50 Cr V 4	1.4301.
15	BASKI RİNGİ	PRESSURE RING	MS 58	1.4301. - 1.4401.
14	MİL O-RİNG	SPINDLE O-RING	VİTON	VİTON
13	BOĞAZ SIZDIRMAZLIK TEFLONU	NECK TIGHTNESS ELEMENT	PTFE-Teflon	PTFE-Teflon
12	3 YOL O-RİNG		VİTON	VİTON
11	GÖVDE SIZDIRMAZLIK TEFLONU	BODY TIGHTNESS ELEMENT	PTFE-Teflon	PTFE-Teflon
10	KÜRE SIZDIRMAZLIK TEFLONU	BALL TIGHTNESS ELEMENT	PTFE-Teflon	PTFE-Teflon
9	HAREKET MİLİ	ACTION SPINDLE	1.4021	1.4301. - 1.4401.
8	KÜRE	BALL	1.4301 / 1.4086	1.4305. - 1.4401.
7	KÖR YATAK		st 37-2	1.4301. - 1.4401.
6	KÖR KAPAK		st 37-2	1.4301. - 1.4401.
5	3 YOL YATAK		st 37-2	1.4301. - 1.4401.
4	3 YOL KAPAK	COVER 3 WAY	st 37-2	1.4301. - 1.4401.
3	KAPAK	COVER	st 37-2	1.4301. - 1.4401.
2	BOĞAZ	NECK	St 37-2	1.4301. - 1.4401.
1	GÖVDE	BODY	St 44	1.4301. - 1.4401.

Boyut Dimensions : BATUSAN ÖZEL
Bağlantılar Connections : EN 10226-1
Çalışma Basıncı Working Pressure : PN 16 - 40
Çalışma Sıcaklığı Working Temperature: -30 °C / +180 °C

Kullanım Alanları Usege Areas :
Su, Sıcak Su, Buhar, Basıncılı Hava
Water, Hot Water, Steam, Pressurized Air



BOYUT ve BAĞLANTI ÖLÇÜLERİ DIMENSIONS AND CONNECTION SIZES

		PN 16 - PN 40							PN 16	PN 40
		L	G	H	h1	d	D	t	Kg	Kg
DN 15	1/2"	100	150	75	90	15	1/2"	14	--	--
DN 20	3/4"	115	150	83	105	20	3/4"	17	--	--
DN 25	1"	130	180	90	110	25	1"	20	--	--
DN 32	1 1/4"	145	230	95	120	32	1 1/4"	22	--	--
DN 40	1 1/2"	160	275	115	135	40	1 1/2"	25	--	--
DN 50	2"	180	275	120	160	50	2"	28	--	--
DN 65	2 1/2"	200	320	135	170	65	2 1/2"	32	--	--
DN 80	3"	225	380	135	185	80	3"	35	--	--
DN 100	4"	250	450	170	200	100	4"	40	--	--