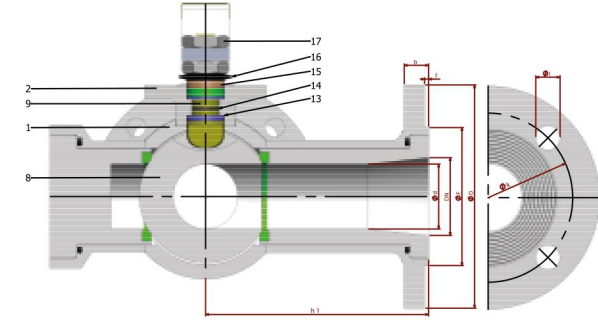
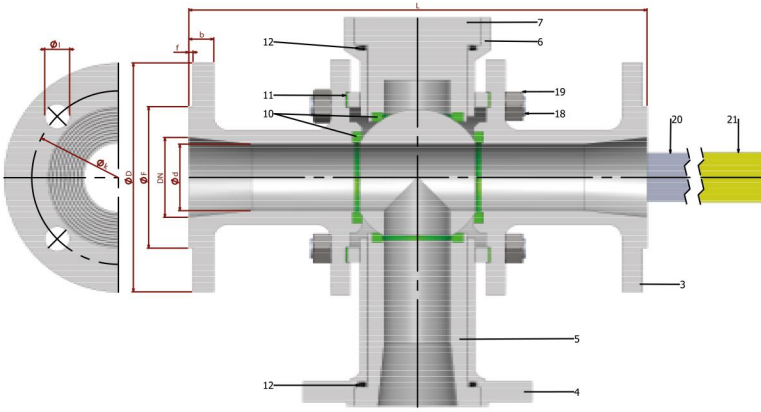


TİP TYPE
BKV.3T-FL-RG

DN 15 - DN 125

PN 16 - PN 40

ÇELİK
STELLREDÜKSİYON GEÇİŞLİ / FLANŞLI
REDUCED BORE / FLANGED

PARÇA NO ITEM NO	PARÇA ADI ITEM DISCRPTION		MALZEME MATERIAL	
21	PLASTİK KAPLAMA	PLASTIC COVERING	PVC	PVC
20	KÜRE HAREKET KOLU	BALL ACTION HANDLE	st 37	1.4301.
19	SOMUN	NUT	5.6.	1.4301. - 1.4401.
18	SAPLAMA	STOPPING PIM	CK 35 / CK 45	1.4301.
17	KONTRA SOMUN	COUNTER NUT	5,6 Gal.	1.4301.
16	ÇANAK PUL	BOWL WASHER	50 Cr V 4	1.4301.
15	BASKI RİNGİ	PRESSURE RING	MS 58	1.4301. - 1.4401.
14	MİL O-RİNG	SPINDLE O-RING	VİTON	VİTON
13	BOĞAZ SIZDIRMAZLIK TEFLONU	NECK TIGHTNESS ELEMENT	PTFE-Teflon	PTFE-Teflon
12	3 YOL O-RİNG		VİTON	VİTON
11	GÖVDE SIZDIRMAZLIK TEFLONU	BODY TIGHTNESS ELEMENT	PTFE-Teflon	PTFE-Teflon
10	KÜRE SIZDIRMAZLIK TEFLONU	BALL TIGHTNESS ELEMENT	PTFE-Teflon	PTFE-Teflon
9	HAREKET MİLİ	ACTION SPINDLE	1,4021	1.4301. - 1.4401.
8	KÜRE	BALL	1.4301 / 1.4086	1.4305. - 1.4401.
7	KÖR YATAK		st 37-2	1.4301. - 1.4401.
6	KÖR KAPAK		st 37-2	1.4301. - 1.4401.
5	3 YOL YATAK		st 37-2	1.4301. - 1.4401.
4	3 YOL KAPAK	COVER 3 WAY	st 37-2	1.4301. - 1.4401.
3	KAPAK	COVER	st 37-2	1.4301. - 1.4401.
2	BOĞAZ	NECK	St 37-2	1.4301. - 1.4401.
1	GÖVDE	BODY	St 44	1.4301. - 1.4401.

Boyut

Dimensions : EN 558

Bağlantılar

Connections : EN 1092 - 1

Çalışma Basıncı

Working Pressure : PN 16 - 40

Çalışma Sıcaklığı

Working Temperature : -30 °C / +180 °C

Kullanım Alanları

Usege Areas :

Su, Sıcak Su, Buhar, Basıncılı Hava
Water, Hot Water, Steam, Pressurized Air

BOYUT ve BAĞLANTI ÖLÇÜLERİ DIMENSIONS AND CONNECTION SIZES

	L	G	H	h1	f	d	PN 16							PN 40							
							D	b	k	Hole Unit	I	F	Kg	D	b	k	Hole Unit	I	F	Kg	
DN 15	1/2"	160	150	75	80	2	12	95	14	65	4	14	45	--	95	16	65	4	14	45	--
DN 20	3/4"	200	150	83	100	2	15	105	16	75	4	14	58	--	105	18	75	4	14	58	--
DN 25	1"	210	180	90	105	2	20	115	16	85	4	14	68	--	115	18	85	4	14	68	--
DN 32	1 1/4"	230	230	95	115	2	25	140	16	100	4	18	78	--	140	18	100	4	18	78	--
DN 40	1 1/2"	250	275	115	125	3	32	150	16	110	4	18	88	--	150	18	110	4	18	88	--
DN 50	2"	330	275	120	165	3	40	165	18	125	4	18	102	--	165	20	125	4	18	102	--
DN 65	2 1/2"	400	320	135	200	3	50	185	18	145	4	18	122	--	185	22	145	8	18	122	--
DN 80	3"	430	380	150	215	3	65	200	20	160	8	18	138	--	200	24	160	8	18	138	--
DN 100	4"	450	450	170	225	3	80	220	20	180	8	18	158	--	235	24	190	8	22	162	--
DN 125	5"	480	450	170	240	3	100	250	22	210	8	18	188	--	270	26	220	8	26	188	--