

# KÜRESEL VANA 3 YOLLU "T" TİPİ

BALL VALVE 3 WAYS "T" TYPE

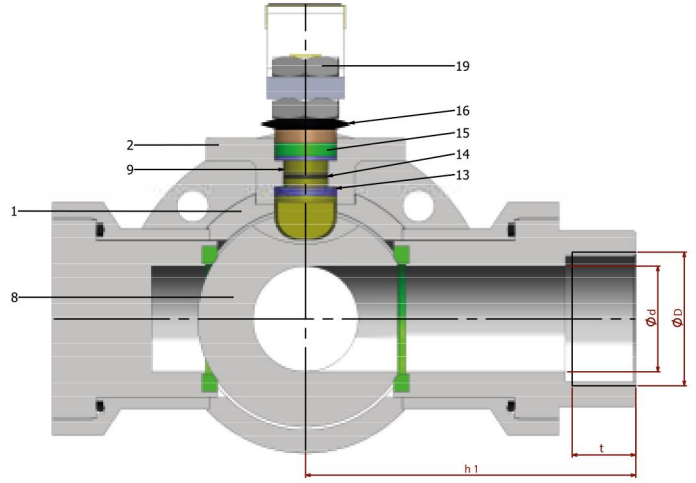
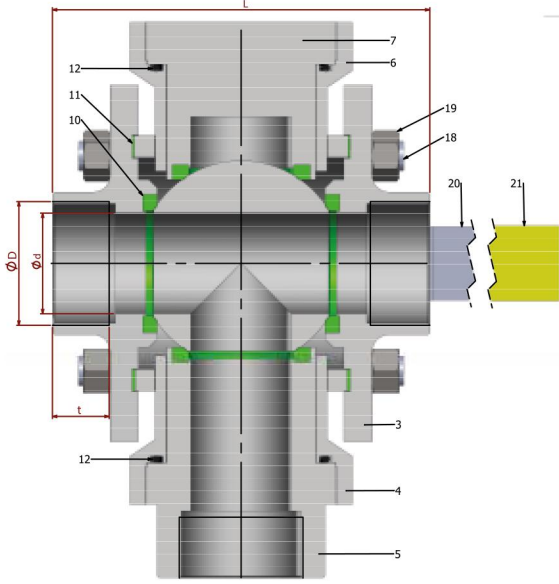
TİP TYPE  
BKV.3T-Dİ-RG

R 1/2" - R 4"

PN 16 - PN 40

ÇELİK  
STELL

REDÜKSİYON GEÇİŞLİ / DIŞLI  
REDUCED BORE / THREADED



PARÇA NO ITEM NO	PARÇA ADI ITEM DISCRPTION	MALZEME MATERIAL		
21	PLASTİK KAPLAMA	PLASTIC COVERING	PVC	PVC
20	KÜRE HAREKET KOLU	BALL ACTION HANDLE	st 37	1.4301.
19	SOMUN	NUT	5.6.	1.4301. - 1.4401.
18	SAPLAMA	STOPPING PIM	CK 35 / CK 45	1.4301.
17	KONTRA SOMUN	COUNTER NUT	5,6 Gal.	1.4301.
16	ÇANAK PUL	BOWL WASHER	50 Cr V 4	1.4301.
15	BASKI RİNGİ	PRESSURE RING	MS 58	1.4301. - 1.4401.
14	MİL O-RING	SPINDLE O-RING	VİTON	VİTON
13	BOĞAZ SIZDIRMAZLIK TEFLONU	NECK TIGHTNESS ELEMENT	PTFE-Teflon	PTFE-Teflon
12	3 YOL O-RING		VİTON	VİTON
11	GÖVDE SIZDIRMAZLIK TEFLONU	BODY TIGHTNESS ELEMENT	PTFE-Teflon	PTFE-Teflon
10	KÜRE SIZDIRMAZLIK TEFLONU	BALL TIGHTNESS ELEMENT	PTFE-Teflon	PTFE-Teflon
9	HAREKET MİLİ	ACTION SPINDLE	1.4021	1.4301. - 1.4401.
8	KÜRE	BALL	1.4301 / 1.4086	1.4305. - 1.4401.
7	KÖR YATAK		st 37-2	1.4301. - 1.4401.
6	KÖR KAPAK		st 37-2	1.4301. - 1.4401.
5	3 YOL YATAK		st 37-2	1.4301. - 1.4401.
4	3 YOL KAPAK	COVER 3 WAY	st 37-2	1.4301. - 1.4401.
3	KAPAK	COVER	st 37-2	1.4301. - 1.4401.
2	BOĞAZ	NECK	St 37-2	1.4301. - 1.4401.
1	GÖVDE	BODY	St 44	1.4301. - 1.4401.

Boyut Dimensions : BATUSAN ÖZEL  
Bağlantılar Connections : EN 10226-1  
Çalışma Basıncı Working Pressure : PN 16 - 40  
Çalışma Sıcaklığı Working Temperature: -30 °C / +180 °C

Kullanım Alanları Usege Areas :  
Su, Sıcak Su, Buhar, Basıncılı Hava  
Water, Hot Water, Steam, Pressurized Air



## BOYUT ve BAĞLANTI ÖLÇÜLERİ DIMENSIONS AND CONNECTION SIZES

		PN 16 - PN 40							PN 16	PN 40
		L	G	H	h1	d	D	t	Kg	Kg
DN 15	1/2"	100	150	75	90	12	1/2"	14	--	--
DN 20	3/4"	100	150	83	100	15	3/4"	17	--	--
DN 25	1"	115	180	90	105	20	1"	20	--	--
DN 32	1 1/4"	130	230	95	110	25	1 1/4"	22	--	--
DN 40	1 1/2"	145	275	115	120	32	1 1/2"	25	--	--
DN 50	2"	160	275	120	135	40	2"	28	--	--
DN 65	2 1/2"	180	320	135	160	50	2 1/2"	32	--	--
DN 80	3"	200	380	135	170	65	3"	35	--	--
DN 100	4"	225	450	170	185	80	4"	40	--	--