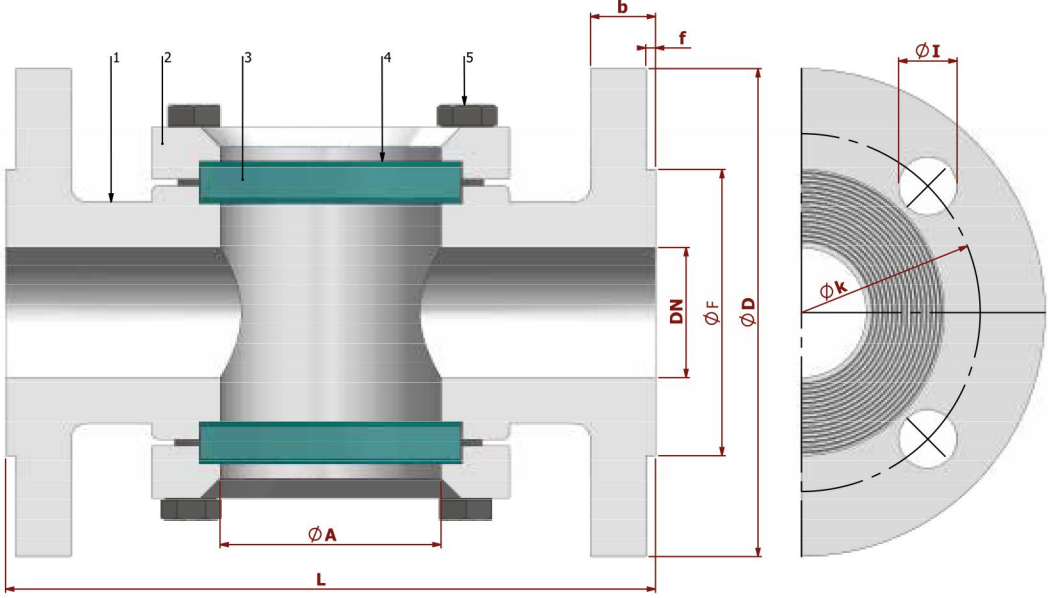


TİP TYPE
BAG - FL

DN 15 - DN 300

PN 16 / 40

ÇİFT CAMLI / FLANŞLI
DOUBLE GLASS / FLANGED



| PARÇA NO ITEM NO | PARÇA ADI ITEM DISCRPTION | | MALZEME MATERIAL | | |
|---------------------|------------------------------|-------------------------|---------------------|----------|-------------------|
| | 5 | CIVATA | BOLT | 8.8. | 8.8. |
| 4 | CAM SIZDIRMAZLIK TEFLONU | GLASS TIGHTNESS ELEMENT | PTFE | PTFE | PTFE |
| 3 | CAM | GLASS | Tem. Glass | DIN 7080 | DIN 7080 |
| 2 | KAPAK | COVER | GG 25 | GS C 25 | 1.4301. - 1.4401. |
| 1 | GÖVDE | BODY | GG 25 | GS C 25 | 1.4301. - 1.4401. |

Boyut

Bağlantılar

Çalışma Basıncı

Çalışma Sıcaklığı

Dimensions : EN 558
Connections : EN 1092 - 1 / 2
Working Pressure : PN 16 - 40
Working Temperature : -10 °C / +180 °C

Kullanım Alanları

Su, Gıda, Kimya, Hava ve Diğer Gazlar

Water, Foodstuffs, Chemistry, Air and Other Gases etc.



BOYUT ve BAĞLANTI ÖLÇÜLERİ DIMENSIONS AND CONNECTION SIZES

| | | L | f | PN 16 | | | | | | | PN 40 | | | | | | | | |
|--------|--------|-----|---|-------|----|-----|-----------|----|-----|-----|-------|-----|----|-----|-----------|----|-----|----|----|
| | | | | D | b | k | Hole Unit | I | F | A | Kg | D | b | k | Hole Unit | I | F | A | Kg |
| DN 15 | 1/2" | 130 | 2 | 95 | 14 | 65 | 4 | 14 | 45 | 40 | 3,5 | 95 | 16 | 65 | 4 | 14 | 45 | 34 | -- |
| DN 20 | 3/4" | 150 | 2 | 105 | 16 | 75 | 4 | 14 | 58 | 40 | 4,2 | 105 | 18 | 75 | 4 | 14 | 58 | 34 | -- |
| DN 25 | 1" | 160 | 2 | 115 | 16 | 85 | 4 | 14 | 68 | 48 | 5,6 | 115 | 18 | 85 | 4 | 14 | 68 | 44 | -- |
| DN 32 | 1 1/4" | 180 | 2 | 140 | 16 | 100 | 4 | 18 | 78 | 67 | 9,5 | 140 | 18 | 100 | 4 | 18 | 78 | 60 | -- |
| DN 40 | 1 1/2" | 200 | 3 | 150 | 16 | 110 | 4 | 18 | 88 | 68 | 14,2 | 150 | 18 | 110 | 4 | 18 | 88 | 60 | -- |
| DN 50 | 2" | 230 | 3 | 165 | 18 | 125 | 4 | 18 | 102 | 85 | 16,0 | 165 | 20 | 125 | 4 | 18 | 102 | 80 | -- |
| DN 65 | 2 1/2" | 290 | 3 | 185 | 18 | 145 | 4 | 18 | 122 | 100 | 15,0 | 185 | 22 | 145 | 8 | 18 | 122 | 80 | -- |
| DN 80 | 3" | 310 | 3 | 200 | 20 | 160 | 8 | 18 | 138 | 100 | 19,0 | 200 | 24 | 160 | 8 | 18 | 138 | 95 | -- |
| DN 100 | 4" | 350 | 3 | 220 | 20 | 180 | 8 | 18 | 158 | 125 | 33,0 | 235 | 24 | 190 | 8 | 22 | 162 | 95 | -- |
| DN 125 | 5" | 400 | 3 | 250 | 22 | 210 | 8 | 18 | 188 | 125 | 41,0 | 270 | 26 | 220 | 8 | 26 | 188 | 95 | -- |
| DN 150 | 6" | 350 | 3 | 285 | 22 | 240 | 8 | 22 | 212 | 125 | 56,5 | 300 | 28 | 250 | 8 | 26 | 218 | 95 | -- |
| DN 200 | 8" | 400 | 3 | 340 | 24 | 295 | 12 | 22 | 268 | 150 | 83,5 | 375 | 34 | 320 | 12 | 30 | 285 | 95 | -- |
| DN 250 | 10" | 650 | 3 | 405 | 32 | 355 | 12 | 26 | 320 | 150 | 195,0 | 450 | 38 | 385 | 12 | 30 | 345 | 95 | -- |
| DN 300 | 12" | 750 | 4 | 460 | 34 | 410 | 12 | # | 378 | 150 | -- | 515 | 42 | 450 | 16 | 33 | 410 | 95 | -- |